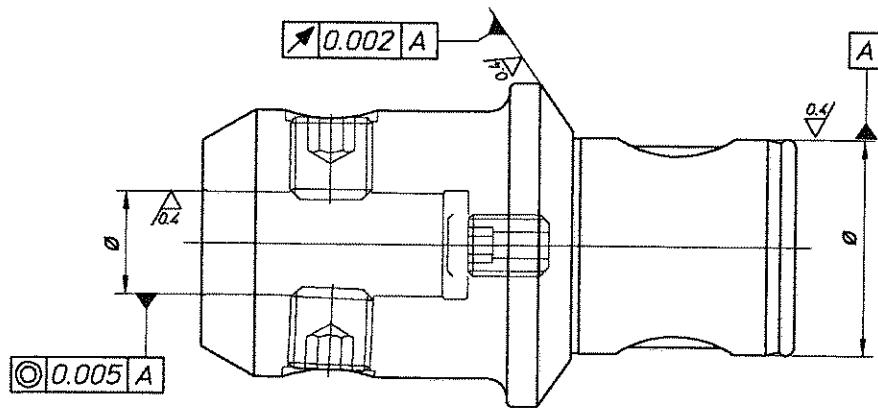
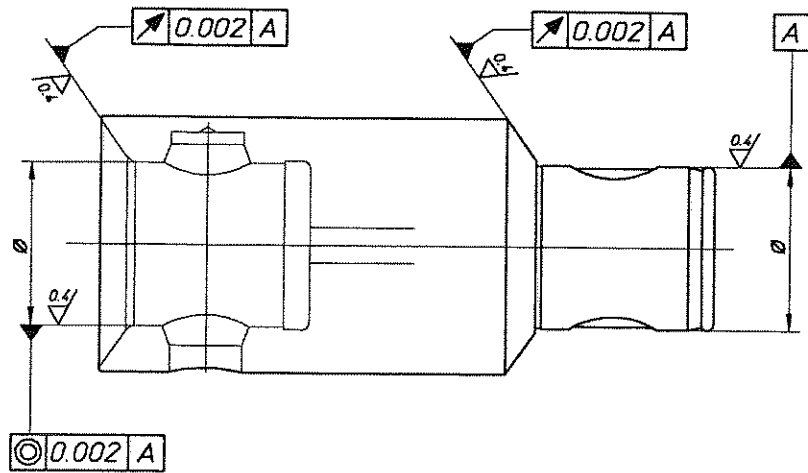
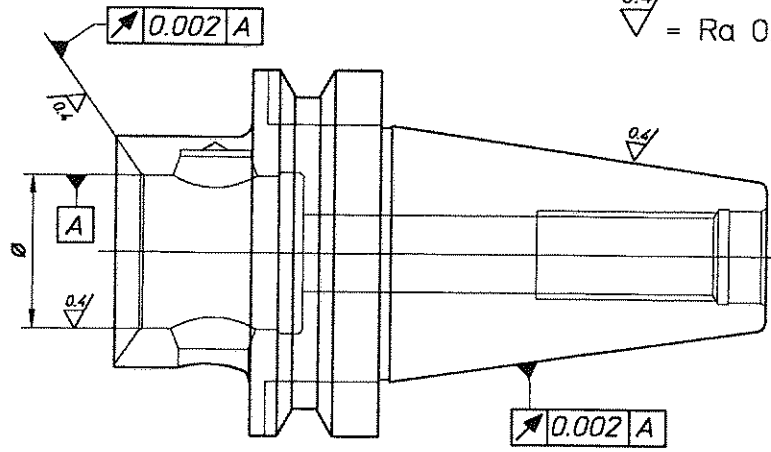


# VALUES ON DIAMETER

$$\frac{0.4}{\nabla} = Ra\ 0.4$$



This value depends by the accuracy of the used collets  
See standard collet producers

